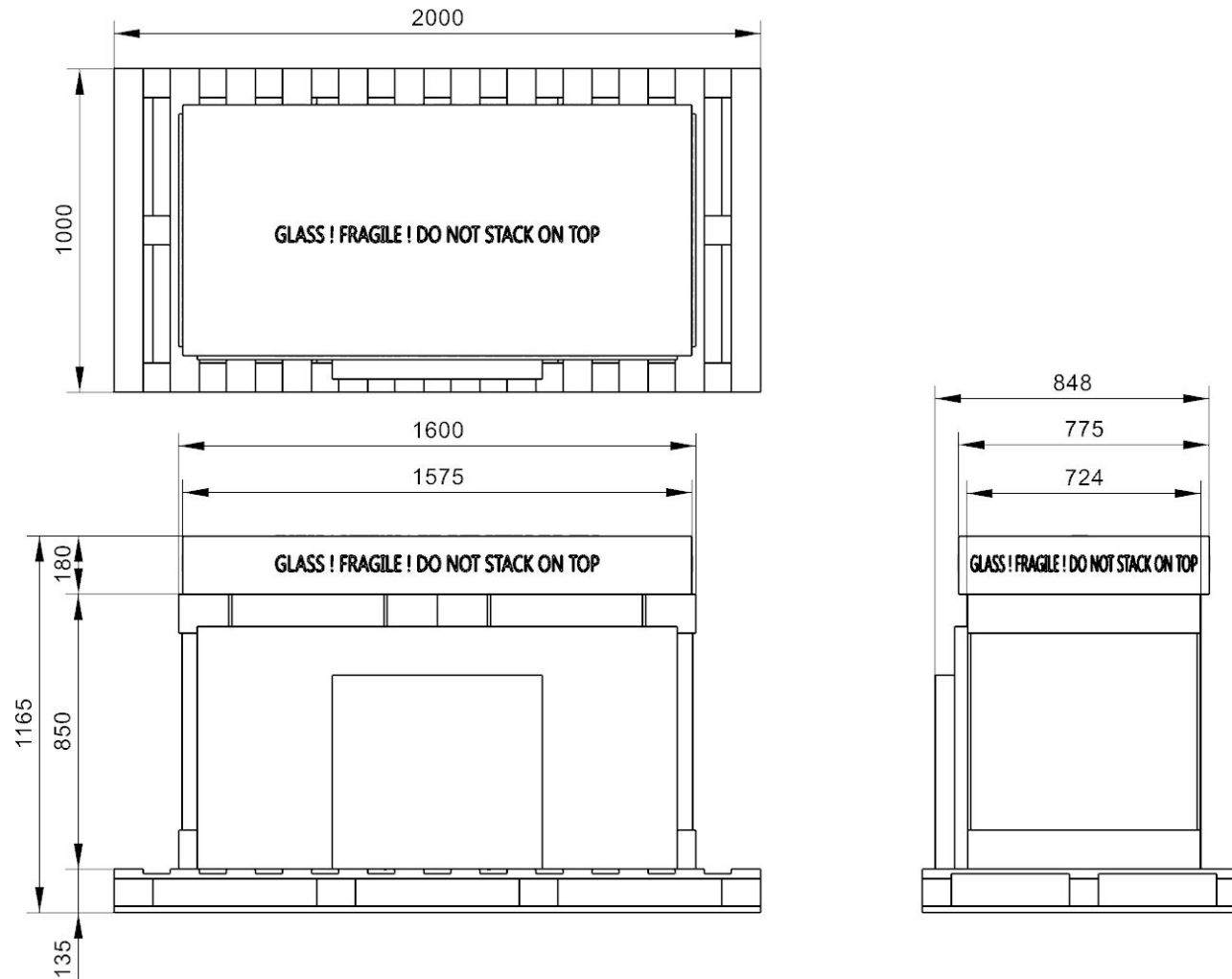


Mars Drinks – 2015 Base Cabinet

Draft Instruction

<i>Issue</i>	<i>Date</i>	<i>Description</i>	<i>Originator</i>
1	12.05.15	First issue	Neil Harrison, Kesslers Int'l Ltd



Unit shipping – general dimensions

BACK PANEL - ACCESSORY
H = 750mm
W = 1485mm
D = 40mm
Weight = 18kg

NOTE - DELIVERED IN BULK
BY KESSLERS AND COMBINED
IF REQUIRED AS SHOWN FOR
SHIPMENT FROM MARS

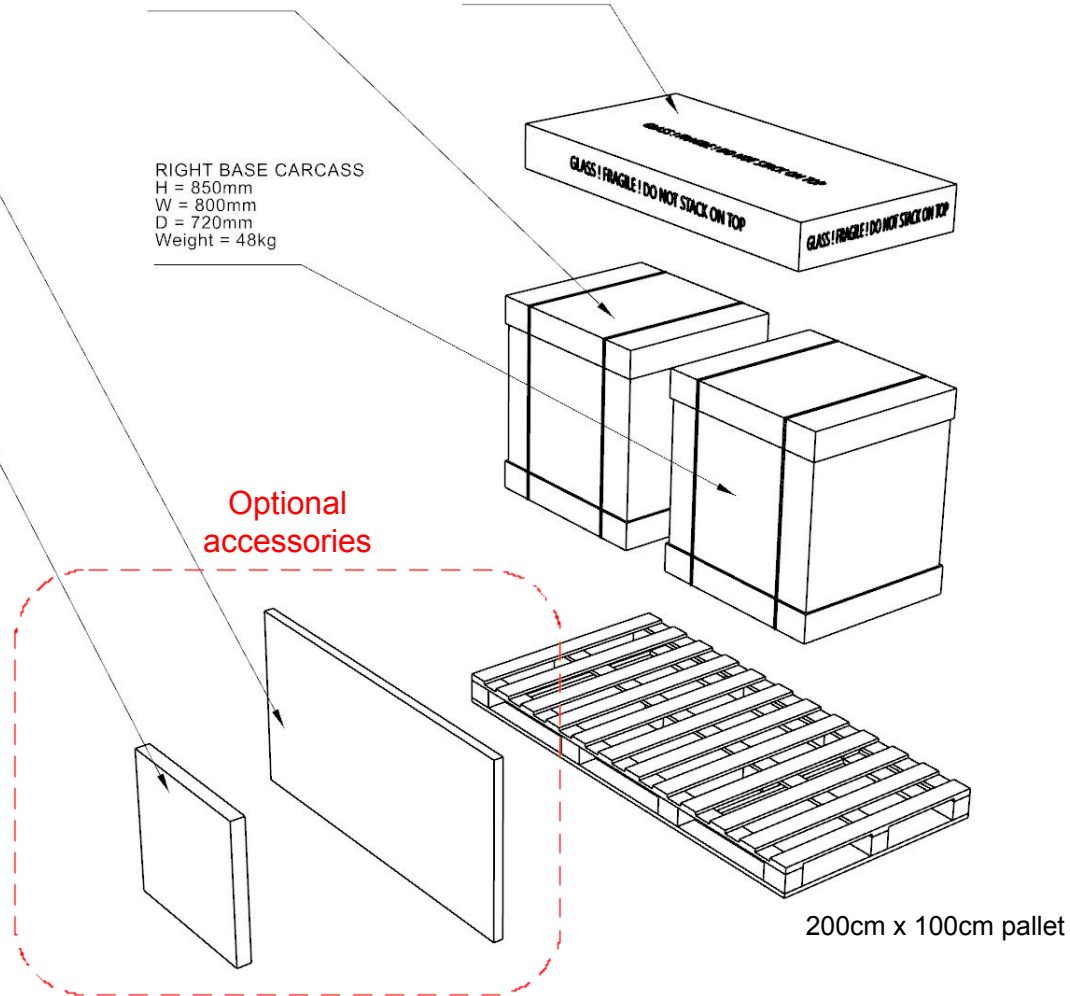
CHALK BOARD
H = 600mm
W = 650mm
D = 60mm
Weight = 5kg

NOTE - DELIVERED IN BULK
BY KESSLERS AND COMBINED
IF REQUIRED AS SHOWN FOR
SHIPMENT FROM MARS

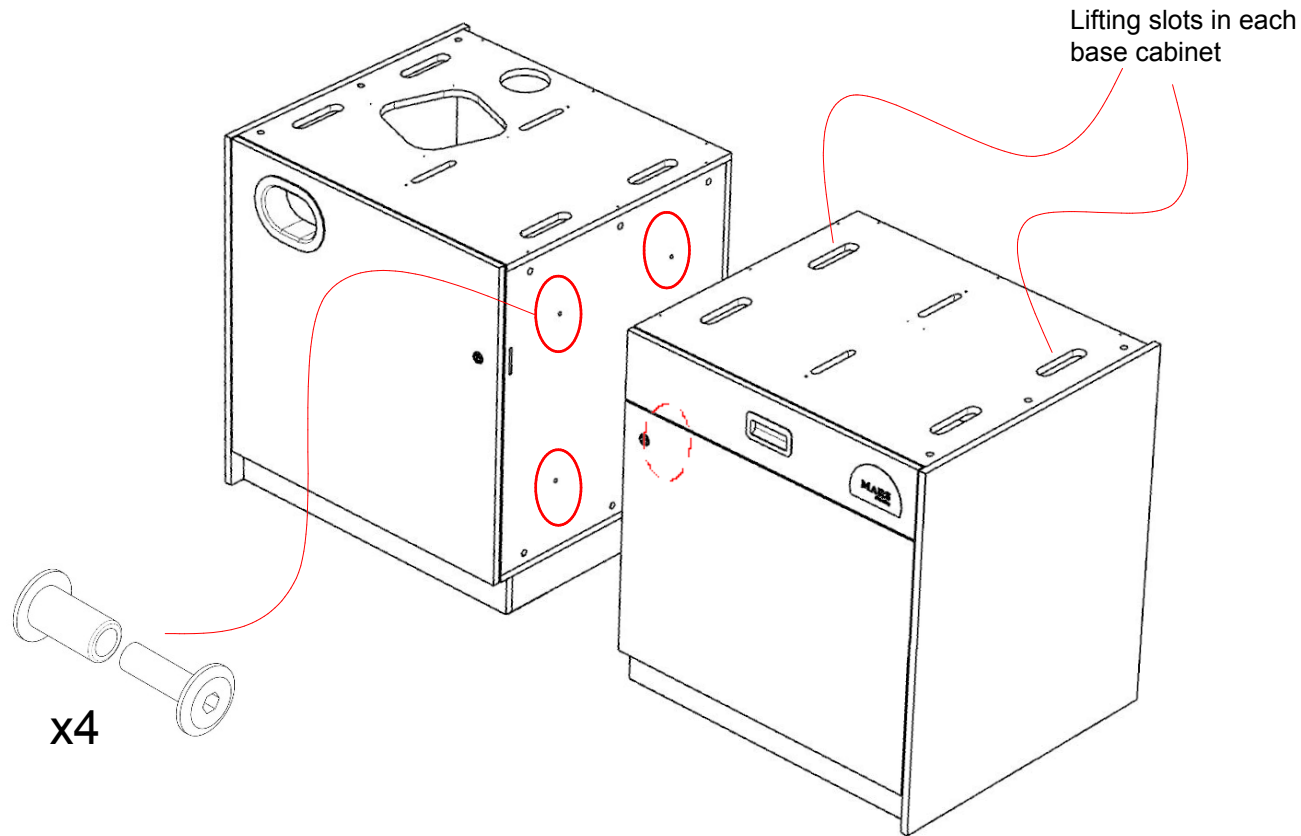
LEFT BASE CARCASS
H = 850mm
W = 800mm
D = 720mm
Weight = 48kg

RIGHT BASE CARCASS
H = 850mm
W = 800mm
D = 720mm
Weight = 48kg

TOP CARCASS
H = 180mm
W = 1575mm
D = 775mm
Weight = 43kg



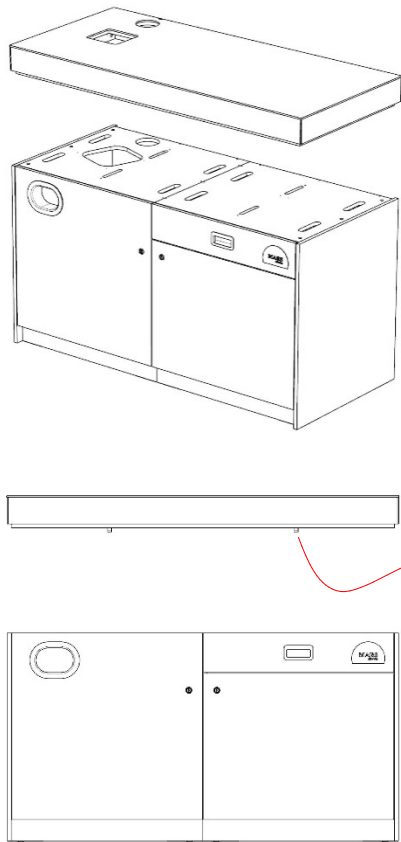
Unit shipping - components and weights



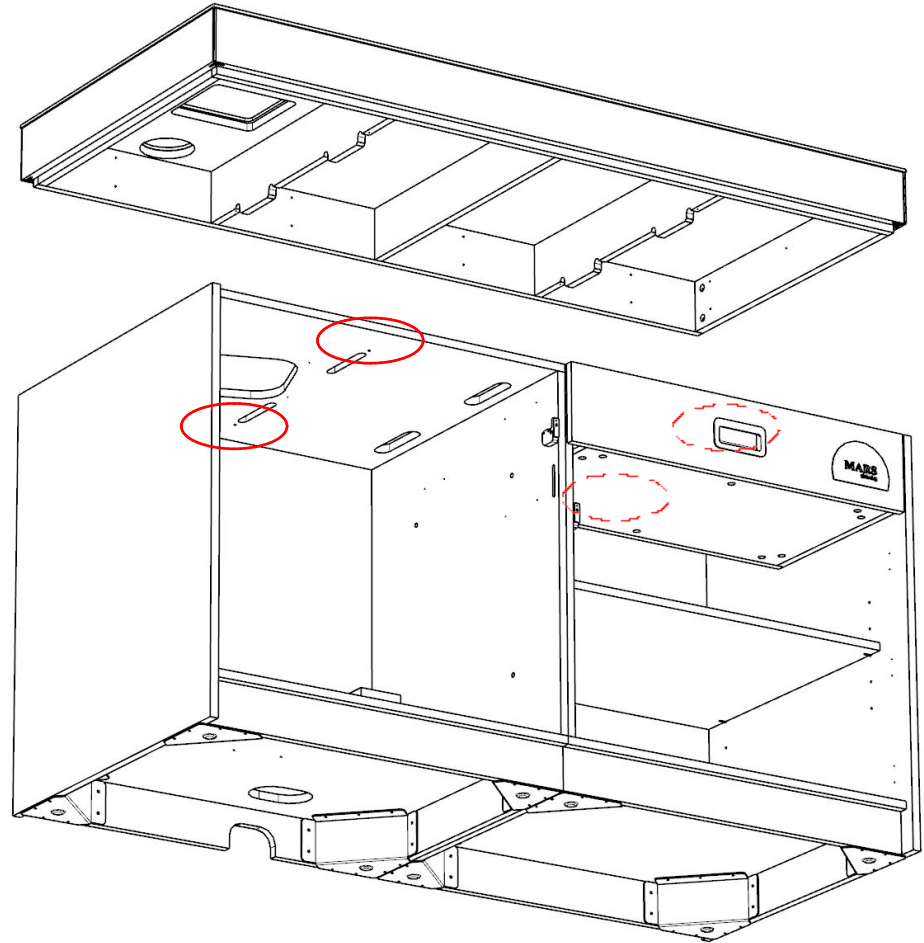
1. Join left and right base cabinets

All fixings, including mats for the C400 and Barista, are supplied in the drawer of the right cabinet, together with full instructions. Tools required for this stage: 4mm allen key.





Location features



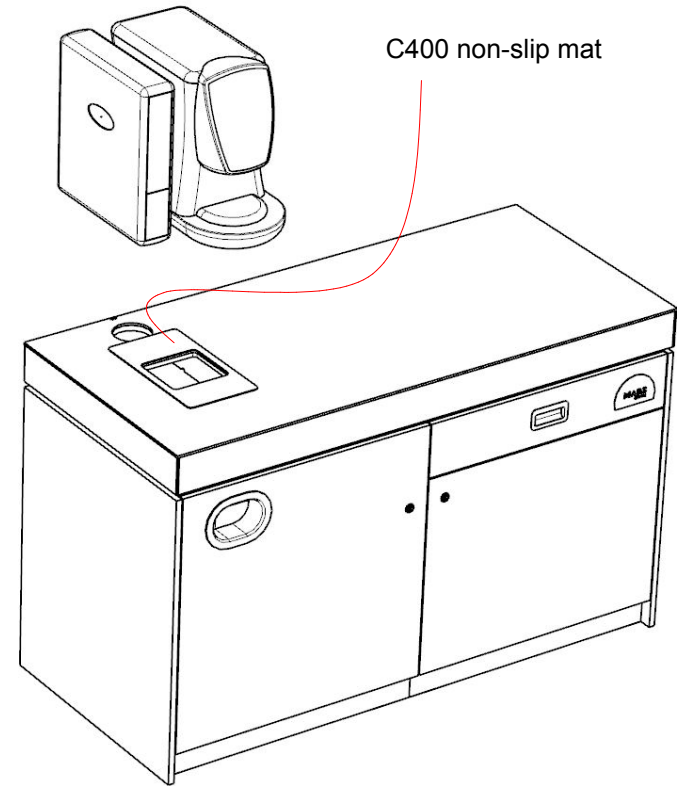
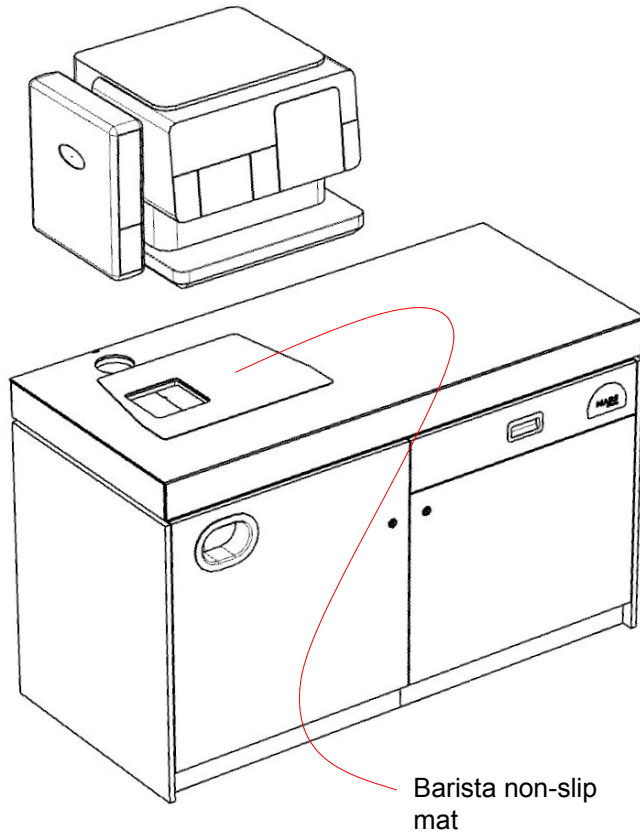
2. Locate top and fix in place

Use x4 screws, open the cabinet doors and drawer to access holes. Tools required for this stage: Pozi screwdriver - stubby

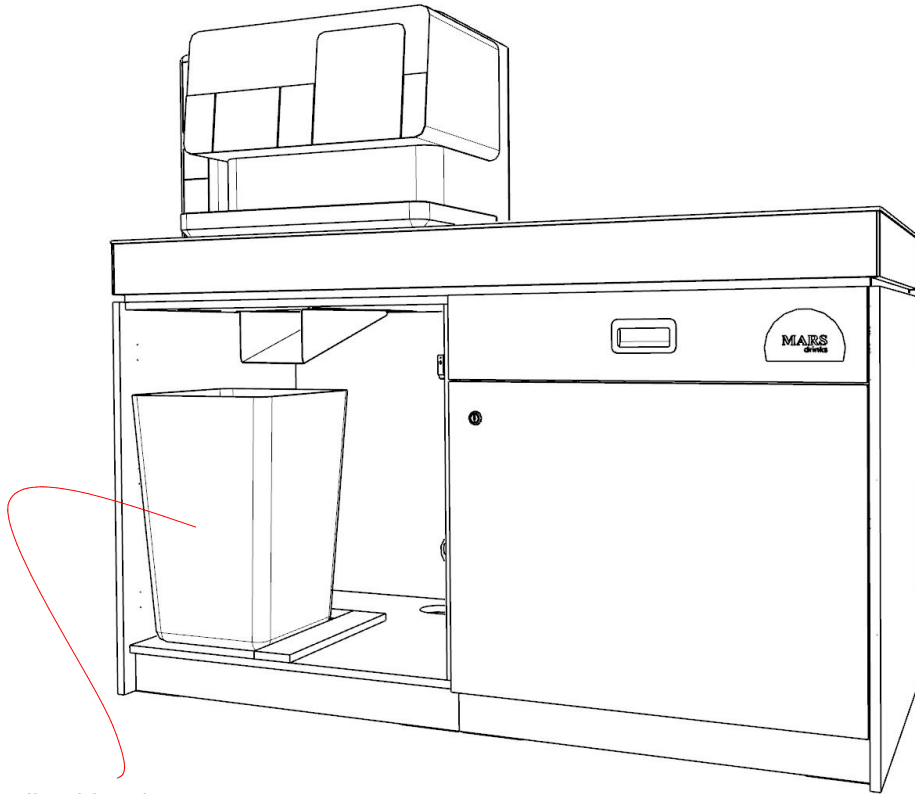


Kesslers
International Ltd

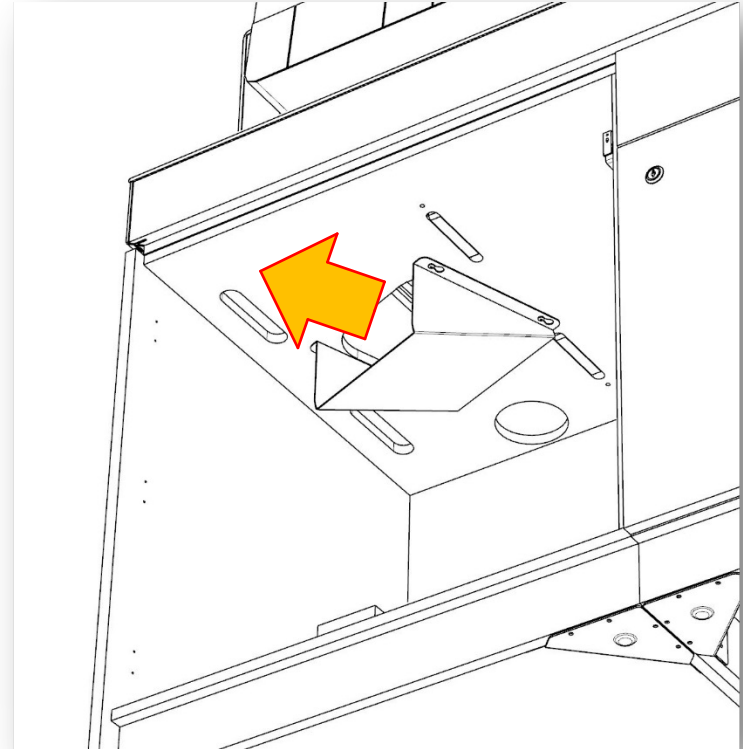
You imagine
We create.



3. Locate C400 or Barista unit on mat provided

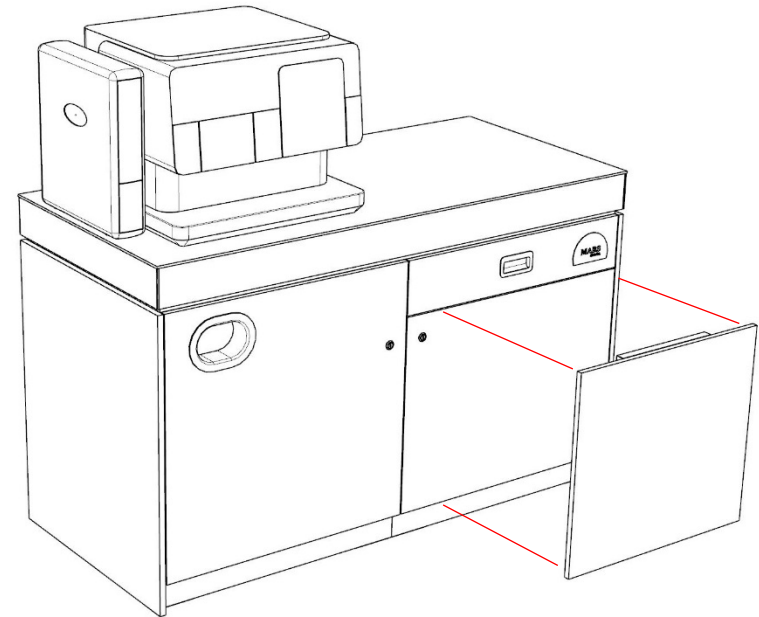
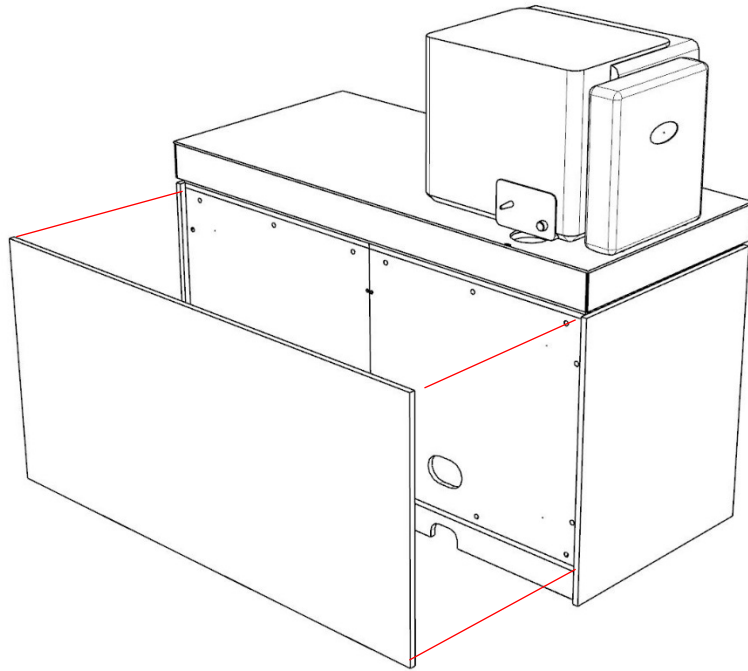


35 litre bin – locate
on guides in base



4. Locate bin and any other internal equipment

Ensure bin and chute are correctly located – chute is removable on keyhole slots for cleaning



5. Accessories – Back trim panel and chalk board

Fix x4 bolts in rear of base cabinets and hang trim panel – tools required: 4mm allen key. Chalk board hangs over left hand door, no tools required.

Cleaning and maintenance

- Use non-abrasive cleaning agents – mild soap and water only
- Chute is removable for cleaning and is dishwasher safe

